

# Data Sheet

## Fanless Cobra15

### 15" POS Terminal

Fanless . Quality . Aluminum

---

LONGSHINE's Cobra15 was designed for environments such as restaurants, hotels and shops which require the terminal to generate zero sound during operation. Cobra15 is made with Aluminum housing and base for extreme solid and reliable structure.

15" TFT LCD display with zero bezel touch panel tilt angle from 0 degree ~ 90 degree, adapt to operation in any environment.

Your total cost of ownership will also be significantly reduced through competitive hardware costs, improved efficiencies and minimal administration efforts.

Finally, high product quality ensure a long lifecycle.



#### Quality and Reliability

Full Aluminum non-ventilation hole housing

- Designed for heavy-duty tasks

#### Maximise the usage

- Platforms Intel Celeron® J1900 covers all need

#### Fanless design

- Contributes to a pleasant quiet working environment

#### IP-65 and zero bezel

Zero bezel design and none ventilation hole at the back for reliability

- IP-65 water and dust Proof sealing for industrial usage

#### Maximize the usage

Removable base for panel mount application

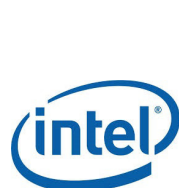
- Flexibility for various applications

#### Easy maintenance

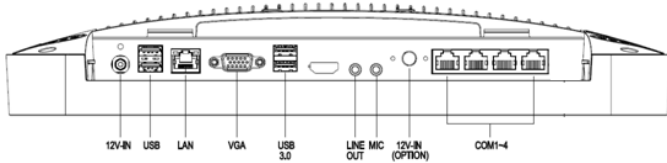
- Compact interconnections at mechanical design to save screws and maintenance time

#### System compatibility

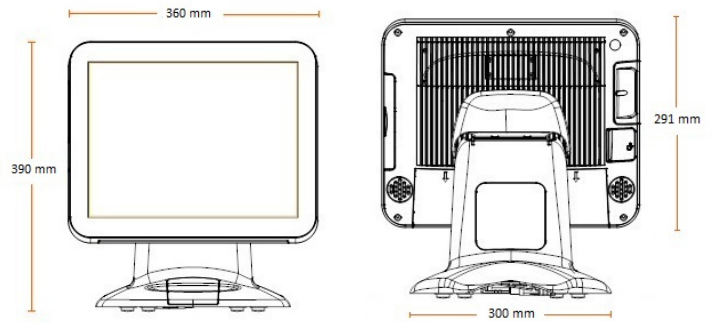
- Runs on Windows OS or Linux



## I/O Interface



## Dimensions



## Technical Specifications

Model	Cobra15 (COB15G-AV4I)	
Processor	INTEL® Celeron® Processor J1900 (Clockspeed: 2.0 GHz, Turbo Speed: 2.4 GHz, Cores: 4)	
Chipset	Intel® Gen7 Intel® Graphics DX 11, OGL3.2	
System Memory	2G 204-pin DDR3L SO-DIMM memory Support up to 8GB of system memory on a single SO-DIMM	
Storage Device	2.5" 320GB SATA HDD	
<b>Touch LCD Display</b>		
Display	<ul style="list-style-type: none"> <li>15" TFT LCD (LED Backlight) with native resolution 1024 x 768</li> <li>5-wired Flat Resistive Touch</li> </ul>	
<b>External IO Ports</b>		
Serial Port	4	
USB Port	4 + 1(External)	
VGA	1	
LAN Port	1 x 10/100/1000 Mbps	
Audio I/O	2; MIC and Line-out	
<b>Optional Peripherals</b>		
Magnetic Stripe Reader	Integrated 3-Track MCR Module	
Customer Display	2 x 20 VFD Customer Display	
2 <sup>nd</sup> Display	7"	
Wireless LAN	yes	
Internal speaker	yes	
Identification Device	i-Button / ADDIMAT Reader	
	RFID, 2D scanner	
<b>OS Support</b>		
Windows	POSReady 7, Win 7, Win 8, Embedded 8.1 Industry	
Linux	Per Request	

Features and specifications are subject to change without prior notice.

## More information

### Longshine Services

In addition to models from Longshine Cobra15, Longshine provides a wide range of platform solutions. Combine reliable Longshine products with the best services, know-how and worldwide partnerships.

### Longshine Hardware Portfolio

Longshine offers a full portfolio of IT hardware ranging from networking, POS, digital signage and e-books. This allows customers to single source from one vendor to ensure installation compatibility and reduce response times for technical enquiries, and changing business requirements.

### POS Products

<http://pos.longshine.de>  
[info@longshine.de](mailto:info@longshine.de)

### Networking Products

<http://network.longshine.de>  
[info@longshine.de](mailto:info@longshine.de)

### E-Book

[tolino@longshine.de](mailto:tolino@longshine.de)

### Digital Signage Products

[info@longshine.de](mailto:info@longshine.de)

### ODM/OEM of specialized IT products

[info@longshine.de](mailto:info@longshine.de)

### More information

To learn more about Longshine Cobra15, please contact your Longshine sales representative or Longshine Business partners, or visit our website.  
[www.longshine.de](http://www.longshine.de)

### LONGSHINE VISION

It's our policy to be open minded and mechanical flexible to support our Business partners, and to also secure projects from different technical enquiries/opportunities. By listening and understanding to market needs, we also aim to contribute technical knowledge to continuously improve and create standard models with high CP values. To become a Longshine Business partner, please contact via  
[info@longshine.de](mailto:info@longshine.de)



### Copyrights

All rights reserved, including intellectual property rights. Changes to technical data reserved. Delivery subject to availability. All liability that the data and illustrations are complete, actual or correct is excluded.  
 Copyright © 1981-2015 LONGSHINE Technologie GmbH.

### Disclaimer

Part number COB15G-AV4I. Model name Cobra15 and the Stylized Cobra15 Logo are trademarks or registered trademarks of LONGSHINE Technologie GmbH. Technical data are subject to modification and delivery subject to availability. Any liability that the data and illustrations are complete, actual or correct is excluded. All other trademarks are property of their respective owners.

## Contact

LONGSHINE Technologie GmbH

Headquarters:

An der Strusbek 9, 22926 Ahrensburg, Germany

TEL: +49 4102 49220 FAX: +49 4102 40109

[www.longshine.de](http://www.longshine.de)

[info@longshine.de](mailto:info@longshine.de)

Model name Cobra15 and part number COB15G-AV4I are trademarks or registered trademarks of LONGSHINE Technologie GmbH. All other trademarks are the property of their respective owners. All rights reserved, including intellectual property rights. Changes to technical data reserved. Delivery subject to availability. All liability that the data and illustrations are complete, actual or correct is excluded. Copyright © 1981-2015 LONGSHINE Technologie GmbH.