



Fanless zero bezel 15" POS Terminal

Powerful . Quality . Ultra Slim

LONGSHINE's VisionPOS was designed for applications which require high performance and installation feasibilities. Through it's high degree of adjustable operation angles and variable shapes, it adapts to maximal different installation environments.

Your total cost of ownership will also be significantly reduced through competitive hardware costs, improved efficiencies and minimal administration efforts. Finally, high product quality ensures a long lifecycle.



Maximise the usage, minimize the cost

Platforms Quad Core covers all needs

- Flexibility of power

IP-65 and zero bezel design

Zero bezel and none ventilation hole at the back for reliability

- IP-65 water and dust Proof sealing for industrial usage

New feasible compact design

Easily configured on the counter to suit the needs and demands of the user

- Designed for maximal installation environments

Fanfree design

- Contributes to a pleasant quiet working environment

Performance

Fits into any POS software environment with relative ease

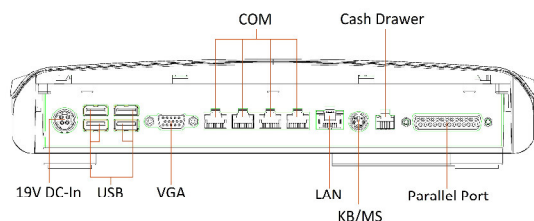
- VisionPOS provides a wide range of platforms to cover all software needs

Construction variety

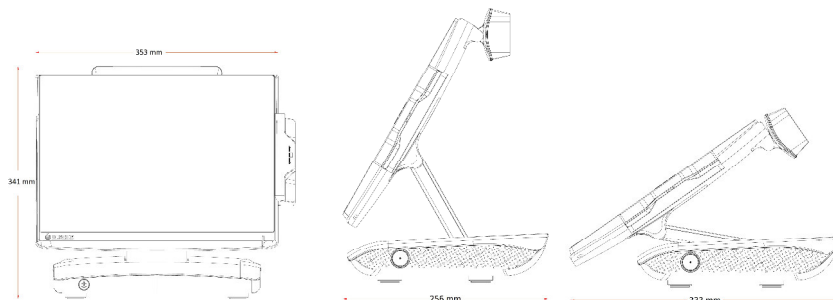
- Benefit from the advantages of various constructions



I/O Interface



Dimensions



Technical Specifications

Model	VP15EB-LV4F
Processor	BayTrail-D Intel® Celeron® Processor J1900 (2 GHz / 2M Cache Quad Core)
System Memory	2GB Standard, Max 8GB (SO-DIMM Socket x 2)
Storage Device	1 x 64GB SSD 1 x MiniPCIe (Support mSATA)
Touch LCD Display	
Display	<ul style="list-style-type: none"> 15" TFT LCD (LED Backlight) with native resolution 1024 x 768 5-wired Flat Resistive Touch or Projected Capacitive Touch (By request)
External IO Ports	
Serial Port	4 x Serial Port; COM1 for RS232/RS422/RS485; COM1/2/3/4 0/12V/5V power output by BIOS adjustable
USB Port	5 x External USB (4 Rear + 1 side)
Cash Drawer Port	1 x RJ11 12/24V power output by BIOS adjustable
Keyboard/ Mouse	1 x PS2 (COMBO)
LAN Port	1 x RJ45 GigLAN
Printer Port	1 x Bi-directional Parallel port (Default; can be replaced by optional IO Board)
Optional Peripherals	
Magnetic Stripe Reader	Integrated 3-Track MCR Module
Customer Display	2 x 20 VFD Customer Display
2nd Display	10" / 14" LCD Display
Wireless Lan	Integrated 802.11 b/g/n Wireless Module
Identification Device	i-Button / ADDIMAT Reader RFID 13.56 MHz / NFC

Features and specifications are subject to change without prior notice.

More information

Longshine Services

In addition to models from Longshine VisionPOS, Longshine provides a wide range of platform solutions. Combine reliable Longshine products with the best services, know-how and worldwide partnerships.

Longshine Hardware Portfolio

Longshine offers a full portfolio of IT hardware ranging from networking, POS, digital signage and e-books. This allows customers to single source from one vendor to ensure installation compatibility and reduce response times for technical enquiries, and changing business requirements.

POS Products

<http://pos.longshine.de>
info@longshine.de

Networking Products

<http://network.longshine.de>
info@longshine.de

E-Book

tolino@longshine.de

Digital Signage Products

info@longshine.de

ODM/OEM of specialized IT products

info@longshine.de

More information

To learn more about Longshine VisionPOS, please contact your Longshine sales representative or Longshine Business partners, or visit our website.
www.longshine.de

LONGSHINE VISION

It's our policy to be open minded and mechanical flexible to support our Business partners, and to also secure projects from different technical enquiries/opportunities. By listening and understanding to market needs, we also aim to contribute technical knowledge to continuously improve and create standard models with high CP values. To become a Longshine Business partner, please contact via
info@longshine.de



Copyrights

All rights reserved, including intellectual property rights. Changes to technical data reserved. Delivery subject to availability. All liability that the data and illustrations are complete, actual or correct is excluded.
Copyright © 1981-2015 LONGSHINE Technologie GmbH.

Disclaimer

Part number VP15EB-LV4F-M. Model name VisionPOS and the Stylized VisionPOS Logo are trademarks or registered trademarks of LONGSHINE Technologie GmbH. Technical data are subject to modification and delivery subject to availability. Any liability that the data and illustrations are complete, actual or correct is excluded. All other trademarks are property of their respective owners.

Contact

LONGSHINE Technologie GmbH
Headquarters:
An der Strusbek 9, 22926 Ahrensburg, Germany
TEL: +49 4102 49220 FAX: +49 4102 40109

www.longshine.de
info@longshine.de

Part number VP15EB, model name VisionPOS and the Stylized VisionPOS Logo are trademarks or registered trademarks of LONGSHINE Technologie GmbH. All other trademarks are the property of their respective owners.

All rights reserved, including intellectual property rights. Changes to technical data reserved. Delivery subject to availability. All liability that the data and illustrations are complete, actual or correct is excluded. Copyright © 1981-2016 LONGSHINE Technologie GmbH.